

15mm & 25mm VENETIAN BLINDS

FITTING GUIDE

Tools Required



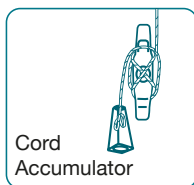
Child Safety

Young children can be strangled by loops in pull cords, chains, tapes and inner cords that operate the product. To avoid strangulation and entanglement, keep cords out of the reach of young children. Cords may become wrapped around a child's neck. Move beds, cots and furniture away from window covering cords. Do not tie cords together. Make sure cords do not twist and create a loop.

Safety Device

This product has been supplied with a breakaway consolidator and a cord accumulator. These components should be installed correctly and have been supplied to make this blind safe in line with the new child safety regulations outlined in BS EN13120.

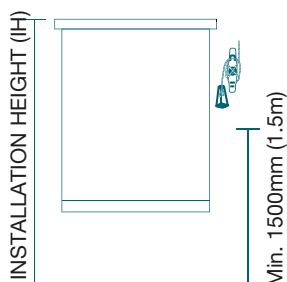
In order to comply with BS EN13120 please ensure the headrail on this blind is not installed less than 1500mm (1.5m) from the floor and the accumulation device provided is installed as close to the headrail as possible and in all cases not less than 1500mm (1.5m) from the floor.



Fitting The Safety Device

Blinds that require a safety cord accumulator must not be installed less than 1500mm (1.5m) from the floor. Safety cord accumulator keep cords taut and out of reach of children – always wrap the cord around the cleat.

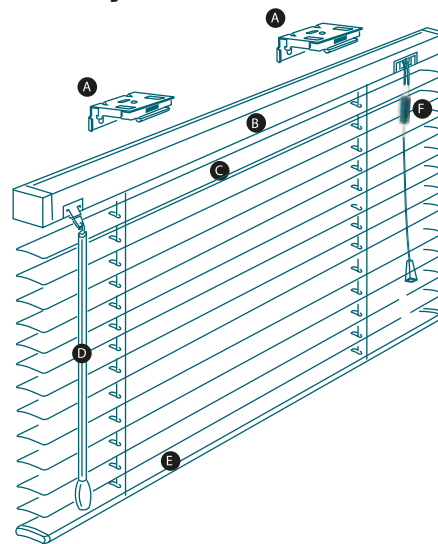
To fit your safety cord accumulator, fix it to the wall with two screws in a position that's out of reach of children. Install it as close to the head rail as possible, ensuring that it is at least 1500mm (1.5m) from the floor. There is a limit to the amount of cord that can be wrapped around a cord accumulator, if need be use two cord accumulators.



WARNING

Children can strangle if this safety device is not installed. Always use this device to keep cords or chains out of reach of children.

Venetian System - 15mm & 25mm



SCREWS

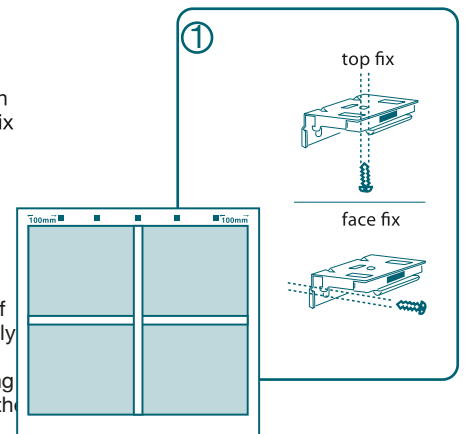


- A** Brackets
- B** Headrail
- C** Slats
- D** Tilter
- E** Bottom bar
- F** Breakaway Consolidator
- G** Cord Accumulator

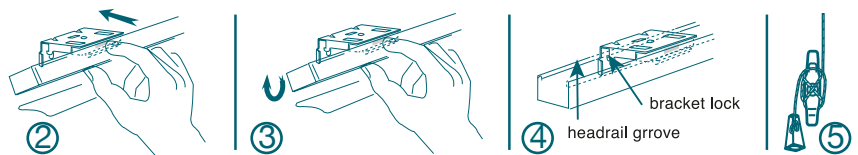
Preparation

1. Confirm the location of the brackets on the window, options are: Top fix or face fix as shown in Fig.1.

2. Mark with a pencil where the brackets are to be fixed. The first two brackets should be placed as close to the ends of the blind as possible, ensuring that the brackets avoid the control mechanism. Larger blinds will require the remainder of the brackets supplied to be spaced evenly throughout the width of the head rail to ensure sufficient support. Avoid the string supports when marking the positions of the extra brackets



Fitting The Blind



1. Tilt the headrail & insert into the brackets whilst applying pressure on to headrail directly in front of the bracket as shown. See Fig.2
2. Pressing the headrail inwards, now tilt the headrail upwards whilst applying pressure on the thumb as shown. See Fig.3
3. Ensure that the groove on the reverse of the headrail slides into the bracket lock before releasing your hand. See Fig.4
4. Install the cord accumulator in the window recess using the screws provided as close to the headrail as possible and wrap loose cord around the cord accumulator. See Fig.5 Please ensure the cord accumulator is installed at least 1500mm (1.5m) from the floor to avoid children being able to reach it. (See Child Safety Section)

Swivel Brackets

If you are installing swivel brackets please ensure the swivel arm is in the open position as per the picture on the right. Insert the headrail into the bracket securing the underside of the headrail. Push the swing arm clockwise until it locks into place. To release the blind, twist the swivel arm on all brackets anti-clockwise and remove the blind.



Operating Your Blind

1. To allow your blind to raise or fall, pull cord to the left to release the lock and either pull the cord to lift the blind or release the cord to allow the blind to drop to the desired level. Tie any loose cords around the Cord Accumulator (G) and keep out of the reach of small children. To tilt the slats, use the wand rod supplied and twist clock-wise or anti clock-wise to achieve the perfect shading option.