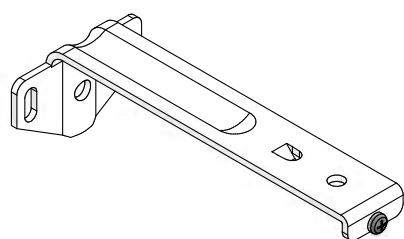


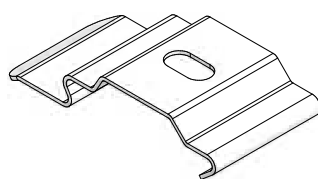
FITTING GUIDE

Carefully unwrap the vertical blind and its associated brackets.

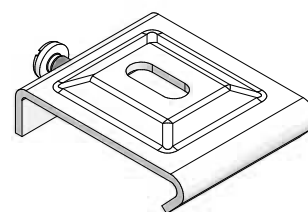
There are a number of bracket options for example face fix, top fix screw or topfix spring.



Shallow frame extension
face fix bracket
(Vogue only)



Top fix spring bracket
(90mm Vogue, 115mm fascia)



Top fix screw bracket
(90mm Vogue)

FITTING THE BRACKETS

The brackets should be located to allow for the depth of the louvres on the blind to tilt. The brackets should therefore be attached to the ceiling or window frame clear from any obstruction and in line with each other.

For a blind up to 900mm wide attach two brackets fitted approximately 40mm (1½) from each end of the blind. On wider blinds any intermediate brackets should be spaced evenly between these, and as a general rule dependant on how well the brackets are fitted, use the following as a guide.

Up to 900mm = 2 brackets.

900mm to 1600mm = 3 brackets.

1600mm to 2300mm = 4 brackets.

2300mm to 3000mm = 5 brackets.

3000mm to 3700mm = 6 brackets

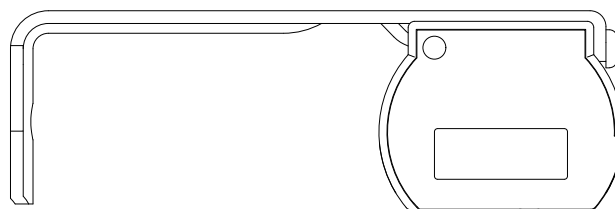
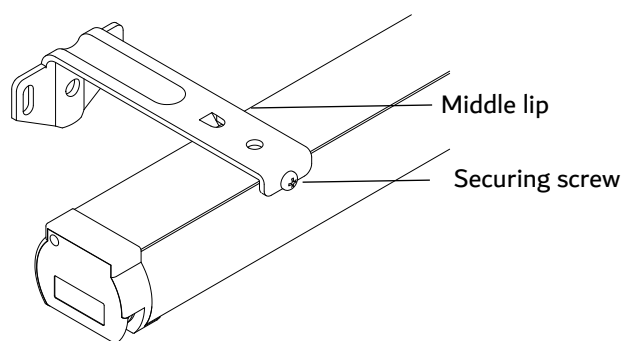
Mark the bracket hole positions before drilling and plugging if necessary. Use two screws for face fix bracket and one screw in a top fix bracket ensuring that the brackets are level. Remember to allow room for the blind to clear any obstacles when deployed, e.g. door or window handles.

FITTING GUIDE

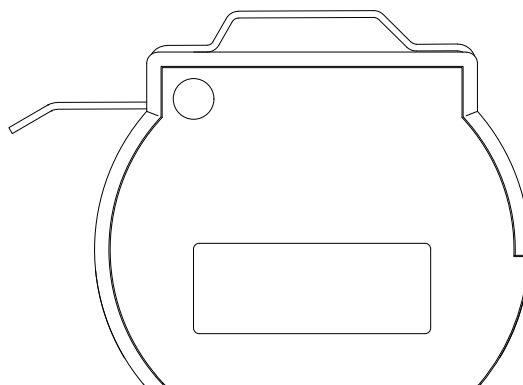
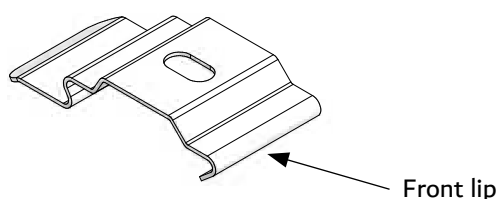
FITTING THE TRACK

The track should be fitted into the brackets keeping the operating wand on the side of the blind as ordered (LH/RH control).

If using a face fix screw bracket, locate the blind with the groove on the back of the headrail and fit it into the middle lip of the bracket. Now push the blind upwards until the headrail is sitting level on the bracket before tightening the securing screw from the front of the blind. Do not over tighten these screws, it is unnecessary and may damage the track.



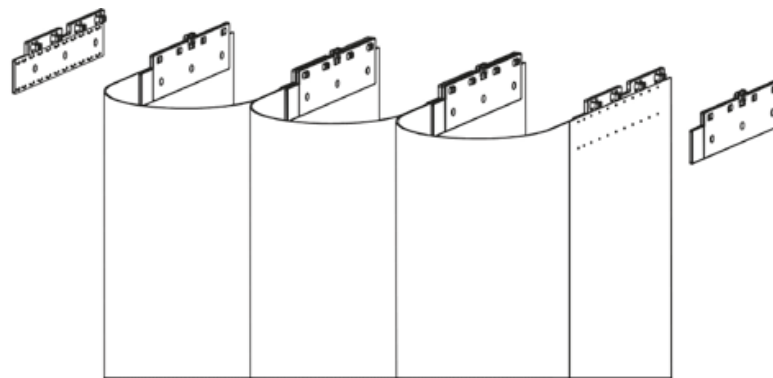
If using a top fix spring clip bracket you should push the track upwards then tilt away from you to locate the spring bracket front lip into the front groove on the track. Push upwards and the track will click into place.



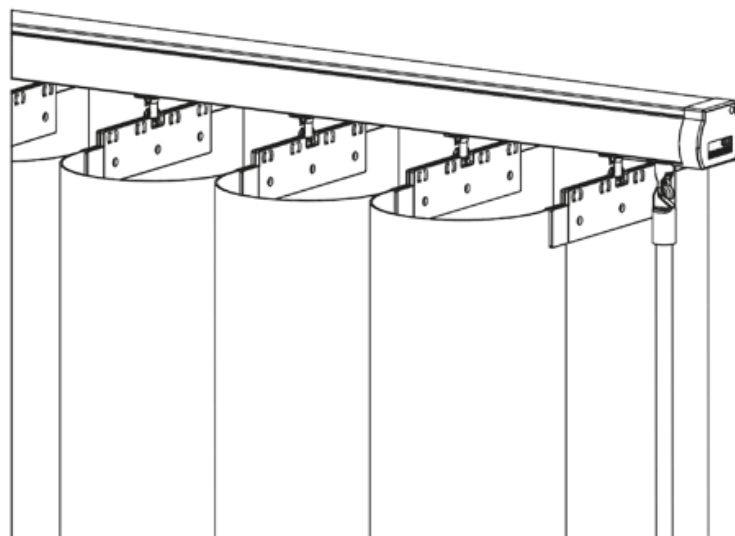
FITTING GUIDE

FITTING THE LOUVRES

Turn the hooks on the carriers of the track so that the slots are at 90 degrees to the track. Attach a holed insert to the non holed insert on the fabric and hang this onto the end carrier.



Then fit the other half of the louvre to the next carrier. Take the next louvre and snap fix the non hole insert to the holed insert on the track, repeat until you get to the last carrier/louvre. When you get to the last louvre snap fix a non holed insert to the end louvre and fasten to the track. If the blind has a split draw then repeat for the other side of the blind ensuring the seams are all facing the same direction.

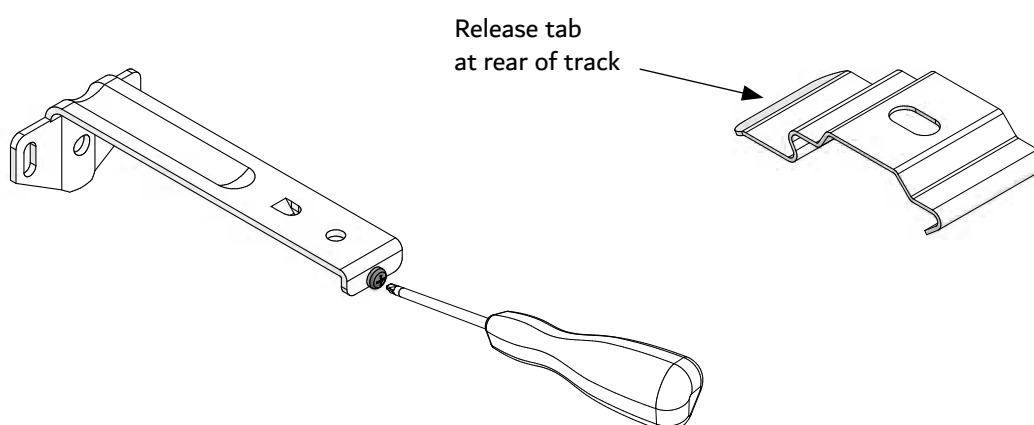


FITTING GUIDE

REMOVING THE TRACK

Before removing a track first take down all the louvres from the blind with brackets that have retaining screws, unscrew the retaining screw sufficiently to clear the groove on the blind track. Repeat this with each bracket and the track will come away.

For spring clip brackets push upwards against the tab at the back of the bracket to release the blind from the bracket. Do this with each bracket and the track will come away.



OPERATING THE BLIND

The wand system has a single wand which is used for both operations. To traverse the louvres across the track grip the wand and slide the louvres across the track by walking the wand across the blind. To move the louvres in the opposite direction walk the wand in that direction. To rotate the louvres grip the wand and twist the wand to rotate the louvres. To rotate the louvres in the opposite direction reverse the direction of twist on the wand.

Note: Do not traverse the blinds with the louvres in the closed position always twist them 90 degrees to the track before operating.